



# Safes

Fire, Data, Burglary

## Are you protected?

Our ranges of safes are designed to meet every eventuality.

To choose a product that will safeguard your specific assets you need to ask yourself a few questions.

1. What am I protecting ?
2. What do I need protection against ?
3. How valuable is what I'm protecting ?

Although all our safes offer a high degree of protection from fire, theft and data protection, we have developed each area accordingly to ensure that specific needs are met to independently tested industry standards. This means each of our products has been tested and are guaranteed to protect your assets, ensuring total protection from fire and is compatible with insurance company standards.



90P

### FIRE SAFES



120D

### DATA SAFES



### BURGLARY SAFES

## Introduction

Designed to protect all paper documents from fire & burglary.

## Introduction

Designed to protect all important computer media from fire & burglary.

## Introduction

Designed to protect cash, jewellery & valuables from burglary.

## Deliveries

Due to the size and weight of these products each safe has a specific delivery price detailing exactly what type of standard delivery is available. Any delivery not relating to this will require a separate quotation please call for more details

## Legend

**2.5k** Recommended Insurance Ratings Rated in £1000's. Multiply by 10 for valuables. Example 1K=£1000 or £10,000 valuables.

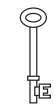
**60P** Fire protection rating Fire resistance shown in minutes. P symbolises protection for paper.

**120D** Fire protection rating Fire resistance shown in minutes. D symbolises protection for computer media.

**OPT** Fitted with Electronic Lock



60P

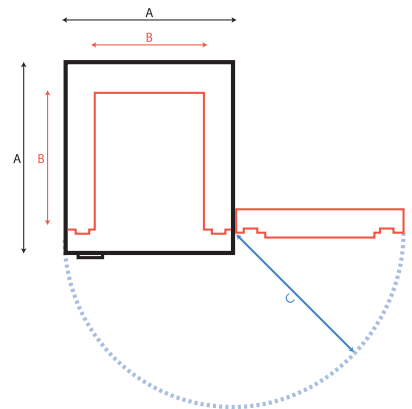


Fire protection rating  
Fire resistance shown in minutes. P symbolises protection for paper.

Fitted with Keylock

Optional Electronic Lock

## Dimensions Stated



- Fire protection rating
- A External Height x Width x Depth in mm
- B Internal Height x Width x Depth in mm
- C Door Swing
- D Weight
- E Capacity
- F Number of shelves/doors/drawers

All weights and sizes are approximate.  
All safes come with a free lifetime 'after the fire' replacement warranty and a full two year materials and labour warranty.  
Insurance cover will vary due to location and circumstances. Please check with your underwriter.  
All prices exclude V.A.T. and delivery. V.A.T. will be charged at the appropriate rate at the date of invoice. Prices correct at time of going to print.

## Fire Test Standards

For extra peace of mind, each fire resistant model is also independently tested to a European or American test standard.

NT FIRE 017-60 Paper Requires safe to be heated to 945°C for 1 hour. The maximum temperature inside the cabinet shall not exceed the initial temperature by more than 150°C.

NT FIRE 017-90 Paper Requires safe to be heated to 1050°C for 90 minutes. The maximum temperature inside the cabinet shall not exceed the initial temperature by more than 150°C.

NT FIRE 017-120 Diskette Requires safe to be heated to 1015°C for 2 hours. The maximum temperature inside the cabinet shall not exceed the initial temperature by more than 30°C.

NT FIRE 017-120 Paper Requires safe to be heated to 1015°C for 2 hours. The maximum temperature inside the cabinet shall not exceed the initial temperature by more than 150°C.

UL350 Requires safe to be heated to 927°C for 1 hour. Internal temperature must not rise above 177°C.

VDMA 24991 Requires safe to be heated to over 1100° for 2 hours. Internal temperature must not rise above 30°C.

KS G 4500-180 Requires safe to be heated to over 1122°C for 3 hours. Internal temperature must not rise above 177°C.



# Safes

Fire, Data, Burglary



## Fire Fighter



Mainly for paper document protection, these safes will protect its contents from fire at temperatures of 945°C for 2 hours. It will also meet the stringent insurance requirements of an overnight cash rating up to £2,000\* Fitted as standard with dual key locks, optional electronic locking available on all models. Models 0412 & 0413 both contain pull out drawers as standard.

Fire Fighter			
Code	Description (mm)	R.R.P	Delivery
0411	A: 622x460x470mm B: 400x320x310mm C: 400mm D: 90kg E: 40 Ltr	£300.00	£75.00
0412	A: 792x500x490mm B: 560x360x330mm C: 430mm D: 115kg E: 67 Ltr	£450.00	£82.00
0413	A: 1013x600x570mm B: 780x450x410mm C: 530mm D: 200kg E: 144 Ltr	£700.00	£106.00

Delivery to ground floor or upper floor via suitable lift with no steps or obstacles price is net (no further discount applies)

### Product Features



Recommended Insurance Ratings Rated in £1000's. Multiply by 10 for valuables. Example 1K=£1000 or £10,000 valuables.



Fire protection rating Fire resistance shown in minutes. D symbolises protection for computer media.



Fitted with Electronic Lock



Fire protection rating Fire resistance shown in minutes. P symbolises protection for paper.

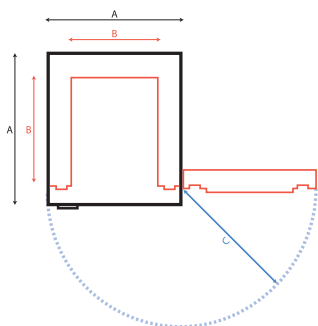


Fitted with Keylock



Optional Electronic Lock

### Dimensions Stated



Fire protection rating  
A: External Height x Width x Depth in mm  
B: Internal Height x Width x Depth in mm  
C: Door Swing  
D: Weight  
E: Capacity  
F: Number of shelves /doors/drawers

## Firefile



1.5 Hrs fire resistance for paper documents at temperature of 1045 °C. Able to accommodate Fool's Cap, A4 and A5 files on width adjustable rails. A high security keylock operates independently on each drawer. Optional data protection insert available to protect computer media.

Firefile			
Code	Description (mm)	R.R.P	Delivery
2242	A: 805mm B: 530mm C: 675mm D: 145kg F: 2 Drawers	£870.00	£76.00
2244	A: 1495mm B: 530mm C: 675mm D: 266kg F: 4 Drawers	£1360.00	£92.00

Delivery to ground floor or upper floor via suitable lift with no steps or obstacles price is net (no further discount applies)

### Product Features



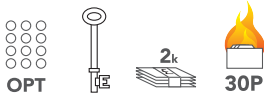
**10 DAY  
GUARANTEED  
DELIVERY**

## Firechief



Provides 30 minutes fire protection for paper records. The safe is recommended for a cash risk of £2,000 or valuables risk of £20,000\*. High security 3 way espagnolette boltwork. Double bitted keylock. Optional electronic locking available on all models.

Code	Description (mm)	R.R.P	Delivery
1611	A: 1240x670x525mm B: 1045x545x412mm C: 690mm D: 101kg E: 235 Ltr F: 3 shelves	£1005.00	£72.00
1612	A: 1885x930x525mm B: 1685x835x412mm C: 415mm D: 192kg E: 580 Ltr F: 4 shelves	£1405.00	£92.00
1613	A: 1885x1200x525mm B: 1675x1100x412mm C: 550mm D: 233kg E: 1685 Ltr F: 4 shelves	£1705.00	£99.00



Delivery to ground floor or upper floor via suitable lift with no steps or obstacles price is net (no further discount applies)

## Datacare



Provides up to 2 hours fire protection (2001-90 mins) for computer media to Swedish Test Standard NT FIRE 017-120 Diskette Models 2002 and 2003 feature automatic slam action locking Electronic locking available as option on models 2002 and 2003.

Code	Description (mm)	R.R.P	Delivery
2001	A: 412x350x432mm B: 245x155x197mm C: 305mm D: 43kg E: 274x3.5 - 192x5.25 - 22x3M 6150 <small>(diskette) (flexible disk) (data cart)</small>	£350.00	£18.00
2002	A: 685x470x470mm B: 380x235x187mm C: 541mm D: 95kg E: 600x3.5 - 370x5.25 - 46x3M 6150 <small>(diskette) (flexible disk) (data cart)</small>	£685.00	£69.00
2003	A: 855x690x720mm B: 495x400x405mm C: 609mm D: 242kg E: 2980x3.5 - 3003x5.25 - 250x3M 6150 <small>(diskette) (flexible disk) (data cart)</small>	£1340.00	£116.00



Delivery to ground floor only for 2001 model, but includes ground floor and upper floor delivery via suitable lift with no steps or obstacles for 2002/2003 models price is net (no further discount applies)

## Saracen



**0932 Suitable for the safe storage of a laptop** Designed to meet the need for a modern, compact, security safe for hotel, residential and business use. The Saracen Series is fitted with high security electronic motorized lock that features a clear LCD display for ease of use. Attractive, unobtrusive and simple to use with its advanced 'user friendly' digital lock. It offers discreet protection in any situation. The advanced design complements any home or business and disguises a spacious interior. The safe is recommended for a cash risk of £1,500 or Valuables risk of £15,000\*. Ready prepared for floor fixing. (Bolts Supplied).

Code	Description (mm)	R.R.P	Delivery
0931	A: 250x350x250mm B: 220x345x180mm C: 300mm D: 12kg E: 14 Ltr	£125.00	£15.00
0932	A: 229x432x360mm B: 200x427x290mm C: 380mm D: 16kg E: 25 Ltr	£155.00	£17.00
0933	A: 560x370x445mm B: 532x363x375mm C: 295mm D: 31kg E: 75 Ltr	£175.00	£24.00



Delivery to ground floor only price is net (no further discount applies)

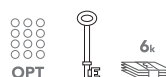
## Castille



Shown with optional pull out key rack

The Castille 6 range is recommended for business and domestic cash risks. The safe is recommended for a cash risk of £6,000 or Valuables risk of £60,000\* and is classed as Euro Grade 0 for insurance purposes Fitted with high security double bitted keylock (VDS Class 1) High security electronic locking available as an optional extra on all models

Code	Description (mm)	R.R.P	Delivery
6/01	A: 440x440x460mm B: 320x320x295mm C: 370mm D: 71kg E: 30 Ltr F: 1 shelf	£505.00	£66.00
6/03	A: 780x440x460mm B: 660x320x295mm C: 370mm D: 105kg E: 62 Ltr F: 2 shelves	£703.00	£92.00



Delivery to ground floor or upper floor via suitable lift with no steps or obstacles price is net (no further discount applies)